

RCBS®

R.A.S.S. Shade Canopy



PRODUCT INSTRUCTIONS

LIMITED WARRANTY

Your R.A.S.S. Shade Canopy is warranted to be free from defects in material or workmanship for two years from the date of purchase. This warranty is extended only to the original consumer purchaser. All RCBS products are intended for non-commercial use by hobbyists. Any other use of these products will void the warranty. Should you believe that the R.A.S.S. Shade Canopy is defective in material or workmanship, you must return the R.A.S.S. Shade Canopy to Ammunition Accessories Inc. through its Oroville operation (hereinafter "Oroville Operations") postage paid for evaluation. If defective, the product will be repaired or replaced at Oroville Operations' option, at no charge.

Send a dated proof of purchase to Oroville Operations for return shipping and handling, along with the Shade Canopy to:

Ammunition Accessories Inc., Oroville Operations
605 Oro Dam Blvd East
Oroville, California 95965

Warranty services cannot be provided without meeting the above requirements.

TO ENSURE ACCURACY OF YOUR WARRANTY INFORMATION, SEND YOUR WARRANTY CARD TO:

Ammunition Accessories Inc., Oroville Operations
605 Oro Dam Blvd East
Oroville, California 95965

THIS TWO YEAR LIMITED WARRANTY DOES NOT COVER DEFECTS OR DAMAGE RESULTING FROM: CARELESSNESS, MISUSE, COMMERCIAL USE, ABUSE, IMPROPER INSTALLATION, MODIFICATION, OR NORMAL WEAR AND TEAR. THE IMPLIED WARRANTIES OF MERCHANTABILITY AND FITNESS FOR A PARTICULAR PURPOSE ARE LIMITED TO THE DURATION OF THIS TWO YEAR LIMITED WARRANTY. OROVILLE OPERATIONS IS NOT LIABLE FOR DAMAGES IN EXCESS OF THE PURCHASE PRICE OF THE PRODUCT AND UNDER NO CIRCUMSTANCES SHALL OROVILLE OPERATIONS BE LIABLE FOR CONSEQUENTIAL OR INCIDENTAL DAMAGES. HOWEVER, SOME STATES DO NOT ALLOW LIMITATIONS ON INCIDENTAL, OR CONSEQUENTIAL DAMAGES, SO THE ABOVE LIMITATION OR EXCLUSION MAY NOT APPLY TO YOU.

The above warranty provides the sole and exclusive warranty available to the customer in the event of a defect in material or workmanship in the R.A.S.S. Shade Canopy. This warranty gives you specific legal rights, and you may also have other rights which vary from State to State.

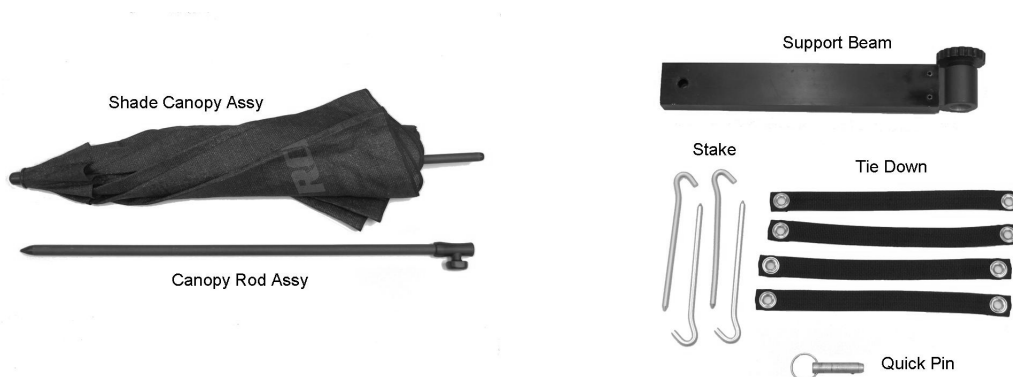
SAVE THESE INSTRUCTIONS

INTRODUCTION

The RCBS R.A.S.S. Shade Canopy has been designed to provide you with 5 feet of sun blocking shade. The 45° articulating head and height adjustment allows you to position the Shade Canopy to block the sun from most any angle. The Shade Canopy also includes a Support Beam, Leg Tie Down Straps and Stakes.

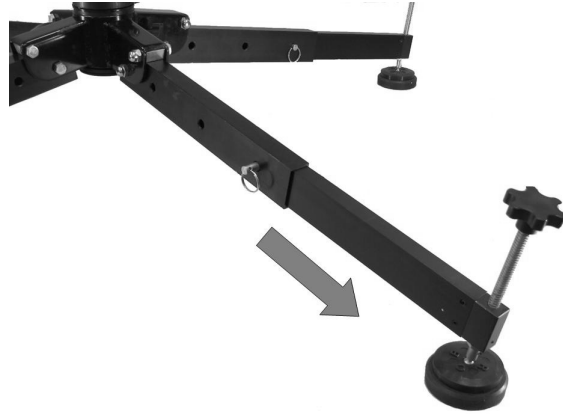
UNPACKING

Remove the contents from the packaging and lay them out in an orderly fashion to ease the assembly process. Identify the following parts:



INSTALLATION INSTRUCTIONS

Extend the legs of your R.A.S.S. Bench to the furthest position.



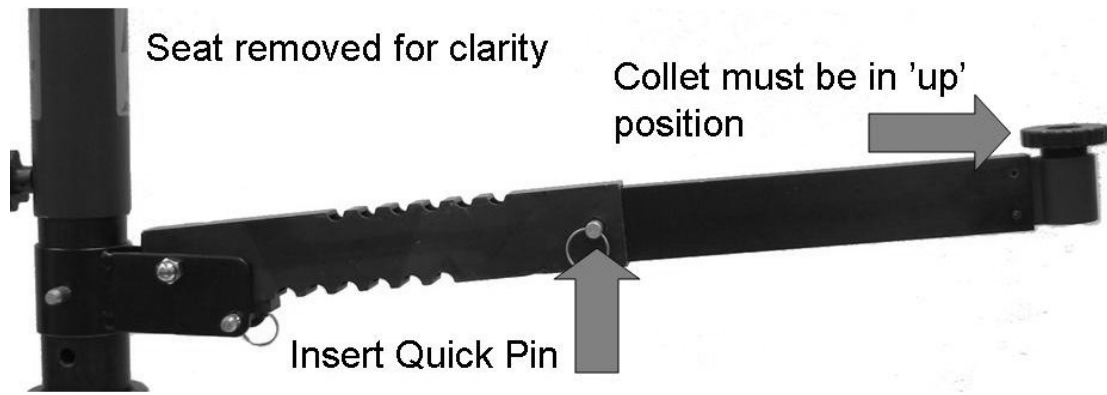
Loop the tie down Strap around the Acme Rod just above the Rubber Foot. Align the two grommets and insert the Stake. Drive the Stake into the ground to secure the leg of the Bench. Repeat this operation for the other three legs.



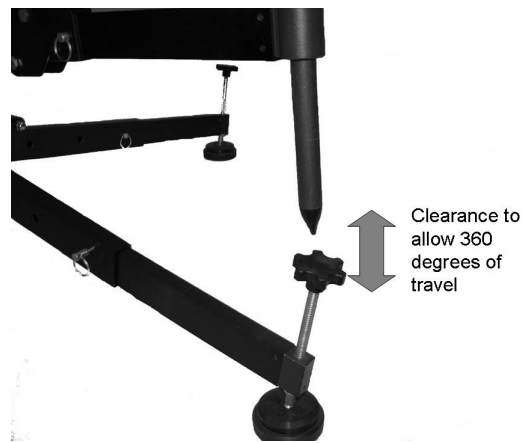
Remove the plastic cap at the rear of your R.A.S.S. Bench Seat Bar.



Insert the Shade Canopy Support Beam and lock in place with the provided Quick Pin. NOTE: The Collet must be in the "up" position.



Insert the Canopy Rod into the Canopy Rod Holder portion of the Support Beam and tighten the Collet. NOTE: The bottom of the Canopy Rod should be higher than the legs to allow 360 degree movement of your R.A.S.S. Bench.



Insert the Canopy Assembly into the Canopy Rod and tighten the Knob.



Open the Shade Canopy.



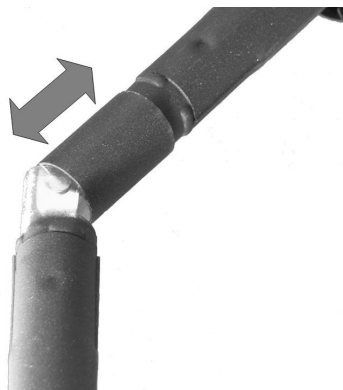
⚠ WARNING: BEFORE USING, BE SURE BENCH LEGS ARE FULLY EXTENDED AND FOOT LEVELERS ARE ADJUSTED TO PLACE THE BENCH IN A STABLE AND LEVEL POSITION. FAILURE TO COMPLY WILL RESULT IN AN UNSAFE FIREARM CONDITION THAT MAY CAUSE PROPERTY DAMAGE, PERSONAL INJURY OR DEATH.

⚠ WARNING: NEVER LEAVE FIREARM UNATTENDED ON FIREARM REST. FAILURE TO COMPLY WILL RESULT IN AN UNSAFE FIREARM CONDITION THAT MAY CAUSE PROPERTY DAMAGE, PERSONAL INJURY OR DEATH.

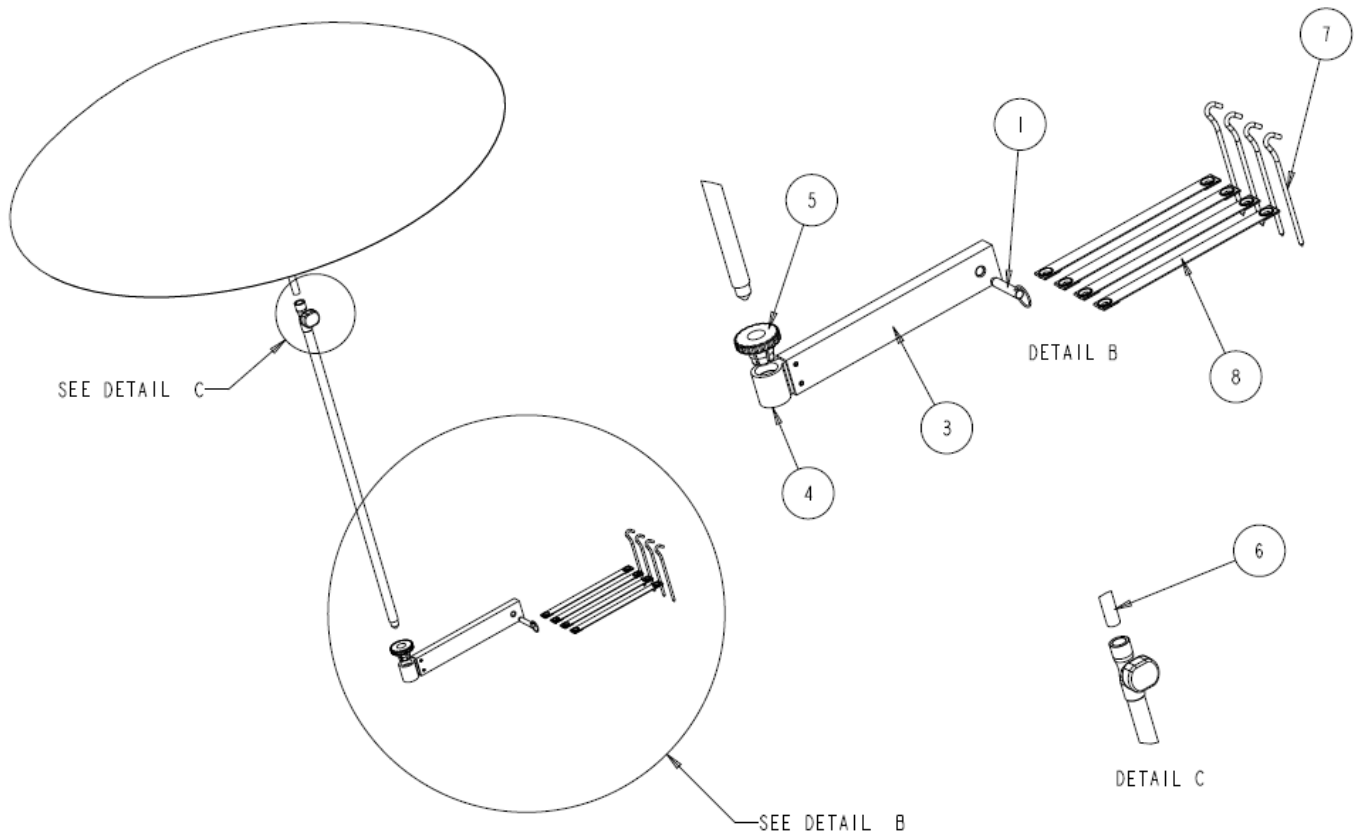
TO USE

Once your R.A.S.S. Bench has been properly staked down and the Shade Canopy installed, you simply adjust the height of the canopy and the angle, to block the sun.

To tilt the Shade Canopy 45 degrees, slide the Locking Sleeve upward and tilt the Canopy, release the Locking Sleeve.



Rotate the Canopy so that the lowest part is at your back when seated. Loosen the Knob and adjust the height of the Canopy to suit your needs, re-tighten the Knob.



SHADE CANOPY			
Item #	Part #	Quantity	Description
1	9320-105	1	1/2" x 1.9"L Quick Pin
2	9320-26	2	6mm Spring Pin, Slotted
3	151150	1	SUPPORT BEAM
4	151151	1	CANOPY ROD HOLDER
5	151152	1	COLLET
6	151153	1	CANOPY ASSEMBLY
7	151154	4	STAKE
8	151155	4	STRAP ASSEMBLY

DETACH AND PLACE IN ENVELOPE
Complete all sections

Mail to:

RCBS Operation
605 Oro Dam Blvd. East
Oroville, CA 95965

1. Where Purchased: _____
2. Name: Mr/Ms. _____
3. Street Address: _____
4. City, State, ZIP: _____
5. Product Purchased: _____ **9323 Shade Canopy** _____
6. Date Purchased: _____

Copy of Register Receipt Enclosed



PRECISIONEERED SHOOTING PRODUCTS

We think that we make the very best reloading and shooting equipment in the world.

If you agree, please tell your friends.

If you disagree, tell us - we want to do something about it!

Customer Service

1-800-533-5000 (US or Canada) or 530-533-5191

Hours: Monday - Thursday, 6:30am - 3:00pm Pacific Time
(hours may vary)

e-mail: rcbs.tech@atk.com or visit our website at www.rcbs.com

RCBS 605 Oro Dam Blvd. East, Oroville, CA 95965

0408

ALLIANT POWDER - CHAMPION - GUNSLICK - INTENSITY - NITREX
OUTERS - RAM-LINE - RCBS - SHOOTERS RIDGE - WEAVER